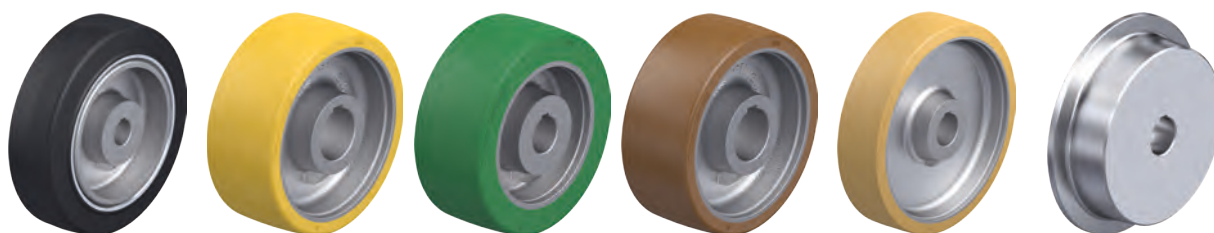


## Drive wheels, hub fitting wheels and basic wheels



## Selection tool

### Drive wheels, hub fitting wheels and basic wheels



| Series   | GEVN                                | GTHN  | GSTN   | GBN  | GVUN                                 | SPKVSN               |
|--|-------------------------------------|---|--|--|--------------------------------------|----------------------|
| Category   | Drive wheel                         |   |  |  |                                      |                      |
| Tread / tyre   | Elastic solid rubber, drive quality | Polyurethane elastomer<br>Blickle Extrathane® | Polyurethane elastomer<br>Blickle Softthane® | Polyurethane elastomer<br>Blickle Bestthane® | Polyurethane elastomer<br>Vulkollan® | Heat-treatable steel |
| Tread and tyre hardness                                | 65 Shore A                          | 92 Shore A                                    | 75 Shore A                                   | 92 Shore A                                   | 92 Shore A                           | 190–230 HB           |
| Non-marking  | –                                   | ✓   | ✓  | ✓  | ✓                                    | ✓                    |
| Electrical conductivity                                | –                                   | optional                                      | optional                                     | optional                                     | –                                    | ✓                    |
| Wheel centre / rim                                     | grey cast iron                      | grey cast iron                                | grey cast iron                               | grey cast iron                               | grey cast iron                       | heat-treatable steel |
| Wheel Ø  | 160–620 mm                          | 75–1,000 mm                                   | 75–500 mm                                    | 100–1,000 mm                                 | 100–400 mm                           | 200–300 mm           |
| Load capacity up to                                    | 4,540 kg                            | 25,000 kg                                     | 4,200 kg                                     | 25,000 kg                                    | 3,400 kg                             | 7,000 kg             |
| Speeds up to   | 16 km/h                             | 10 km/h                                       | 10 km/h                                      | 16 km/h                                      | 16 km/h                              | 4 km/h               |
| Coefficient of friction $\mu$ (on smooth dry concrete) | > 0.6                               | > 0.25  | > 0.3  | > 0.25                                       | > 0.25                               | > 0.15*              |
| Rolling resistance                                     | ■ ■ ■ ■ ■                           | ■ ■ ■ ■ ■                                     | ■ ■ ■ ■ ■                                    | ■ ■ ■ ■ ■                                    | ■ ■ ■ ■ ■                            | ■ ■ ■ ■ ■            |
| Smooth operation and floor preservation                | ■ ■ ■ ■ ■                           | ■ ■ ■ ■ ■                                     | ■ ■ ■ ■ ■                                    | ■ ■ ■ ■ ■                                    | ■ ■ ■ ■ ■                            | ■ ■ ■ ■ ■            |
| For a description of the wheel, refer to               | page 540                            | page 541–542                                  | page 543                                     | page 544–545                                 | page 546                             | page 547             |

■ ■ ■ ■ ■ excellent

■ ■ ■ ■ ■ very good

■ ■ ■ ■ ■ good

■ ■ ■ ■ ■ satisfactory

■ ■ ■ ■ ■ adequate ✓ yes – no

\* On smooth steel surface



| PA                                | VLEA                            | GEVA  | GSTA  | GBA   | VSVU                                    |
|-----------------------------------|---------------------------------|---|---|---|---|
| Hub fitting wheel                 |                                 |   |   |   | Basic wheel                             |
| Pneumatic tyre<br>2–10 ply rating | Super elastic solid<br>rubber * | Elastic solid rubber,<br>smooth rolling quality | Polyurethane<br>elastomer<br>Blickle Softthane® | Polyurethane<br>elastomer<br>Blickle Bestthane® | Polyurethane<br>elastomer<br>Vulkollan® |
| 60 Shore A                        | 70 Shore A                      | 65 Shore A                                      | 75 Shore A                                      | 92 Shore A                                      | 92 Shore A                              |
| –                                 | optional                        | –   | ✓   | ✓   | ✓                                       |
| –                                 | optional                        | –   | optional  | –   | –                                       |
| pressed steel                     | heavy<br>pressed steel          | grey cast iron                                  | grey cast iron                                  | grey cast iron                                  | heat-treatable steel                    |
| 400–536 mm                        | 405–525 mm                      | 250–620 mm                                      | 200–400 mm                                      | 200–400 mm                                      | 125–300 mm                              |
| 1,300 kg                          | 1,885 kg                        | 4,540 kg  | 2,500 kg  | 3,400 kg  | 2,400 kg                                |
| 25 km/h                           | 25 km/h                         | 16 km/h   | 10 km/h   | 16 km/h   | 16 km/h                                 |
| > 0.6                             | > 0.6                           | > 0.6   | > 0.3   | > 0.25  | > 0.25                                  |
| ■ ■ ■ ■ ■                         | ■ ■ ■ ■ ■                       | ■ ■ ■ ■ ■                                       | ■ ■ ■ ■ ■                                       | ■ ■ ■ ■ ■                                       | ■ ■ ■ ■ ■                               |
| ■ ■ ■ ■ ■                         | ■ ■ ■ ■ ■                       | ■ ■ ■ ■ ■                                       | ■ ■ ■ ■ ■                                       | ■ ■ ■ ■ ■                                       | ■ ■ ■ ■ ■                               |
| page 548                          | page 549                        | page 550  | page 551  | page 552  | page 553                                |

\* 3-component tyres

Made of **VULKOLLAN®** VULKOLLAN® is a registered trademark of Covestro Group

## GEVN series

Heavy-duty drive wheels with hub keyway,  
with elastic solid rubber tyres,  
with cast iron wheel centre



300–4,540 kg

### Tread and tyre hardness

65 Shore A

### Smooth operation / floor preservation

very good

### Rolling resistance

good

### Wear resistance

satisfactory

### Tyre:

- high-quality elastic solid rubber in drive-quality, hardness 65 Shore A
- with steel-band
- very good operational comfort
- very good floor preservation, low-noise operation
- colour black
- wheel Ø 400 and 500 mm: high-quality elastic solid rubber in smooth rolling quality, steel-wire reinforced, hardness 65 Shore A, low rolling resistance

### Wheel centre:

- rugged grey cast iron
- axle bore and hub keyway in accordance with DIN 6885
- lacquered, colour anthracite

### Other features:

- chemical resistance to many aggressive substances, except oils
- operating temperature: -30 °C to +80 °C, temporarily up to +100 °C, reduced load capacity over +60 °C

### Additional details:

- wheel series: page 75
- tread: page 53
- chemical resistance: page 51

### Wheels

| Wheels        | Wheel Ø<br>(D) [mm] | Wheel width<br>(T2) [mm] | Load capacity<br>at 4 km/h<br>[kg] | Load capacity<br>at 10 km/h<br>[kg] | Load capacity<br>at 16 km/h<br>[kg] | Axle bore Ø<br>(d) [mm] | Hub keyway<br>width<br>(B) [mm] | Hub keyway<br>height<br>(H) [mm] | Hub length<br>(T1) [mm] |
|---------------|---------------------|--------------------------|------------------------------------|-------------------------------------|-------------------------------------|-------------------------|---------------------------------|----------------------------------|-------------------------|
| GEVN 160/25H7 | 160                 | 50                       | 300                                | 200                                 | –                                   | 25 H7                   | 8 JS9                           | 28.3                             | 60                      |
| GEVN 200/25H7 | 200                 | 50                       | 420                                | 280                                 | –                                   | 25 H7                   | 8 JS9                           | 28.3                             | 60                      |
| GEVN 200/30H7 | 200                 | 50                       | 420                                | 280                                 | –                                   | 30 H7                   | 8 JS9                           | 33.3                             | 60                      |
| GEVN 250/30H7 | 250                 | 60                       | 630                                | 420                                 | 320                                 | 30 H7                   | 8 JS9                           | 33.3                             | 60                      |
| GEVN 250/40H7 | 250                 | 60                       | 630                                | 420                                 | 320                                 | 40 H7                   | 12 JS9                          | 43.3                             | 60                      |
| GEVN 252/40H7 | 250                 | 80                       | 810                                | 540                                 | 410                                 | 40 H7                   | 12 JS9                          | 43.3                             | 80                      |
| GEVN 302/35H7 | 300                 | 90                       | 1,080                              | 720                                 | 540                                 | 35 H7                   | 10 JS9                          | 38.3                             | 90                      |
| GEVN 360/35H7 | 360                 | 60                       | 900                                | 600                                 | 450                                 | 35 H7                   | 10 JS9                          | 38.3                             | 60                      |
| GEVN 362/40H7 | 360                 | 75                       | 1,140                              | 760                                 | 570                                 | 40 H7                   | 12 JS9                          | 43.3                             | 75                      |
| GEVN 400/40H7 | 400                 | 75                       | 1,080                              | 720                                 | 540                                 | 40 H7                   | 12 JS9                          | 43.3                             | 75                      |
| GEVN 405/50H7 | 405                 | 130                      | 1,800                              | 1,200                               | 900                                 | 50 H7                   | 14 JS9                          | 53.8                             | 130                     |
| GEVN 415/50H7 | 415                 | 75                       | 1,200                              | 800                                 | 600                                 | 50 H7                   | 14 JS9                          | 53.8                             | 75                      |
| GEVN 425/60H7 | 425                 | 150                      | 2,290                              | 1,570                               | 1,430                               | 60 H7                   | 18 JS9                          | 64.4                             | 150                     |
| GEVN 500/40H7 | 500                 | 85                       | 1,560                              | 1,050                               | 780                                 | 40 H7                   | 12 JS9                          | 43.3                             | 90                      |
| GEVN 520/50H7 | 520                 | 100                      | 1,830                              | 1,225                               | 920                                 | 50 H7                   | 14 JS9                          | 53.8                             | 100                     |
| GEVN 610/80H7 | 610                 | 150                      | 2,700                              | 1,800                               | 1,350                               | 80 H7                   | 22 JS9                          | 85.4                             | 150                     |
| GEVN 620/80H7 | 620                 | 200                      | 4,540                              | 3,105                               | 2,835                               | 80 H7                   | 22 JS9                          | 85.4                             | 200                     |

Other dimensions available upon request

## Versions / options



with pressed-on steel band in friction wheel quality

Technical description page

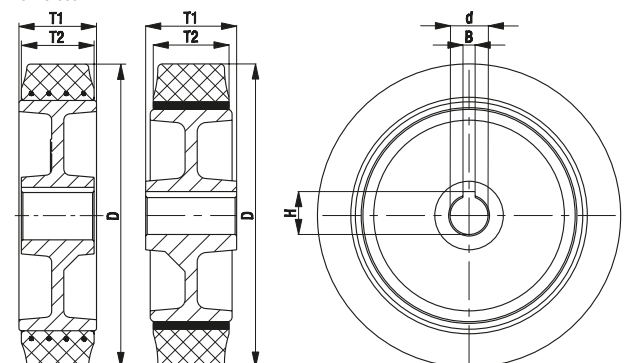
Product code suffix

-STR

Available for

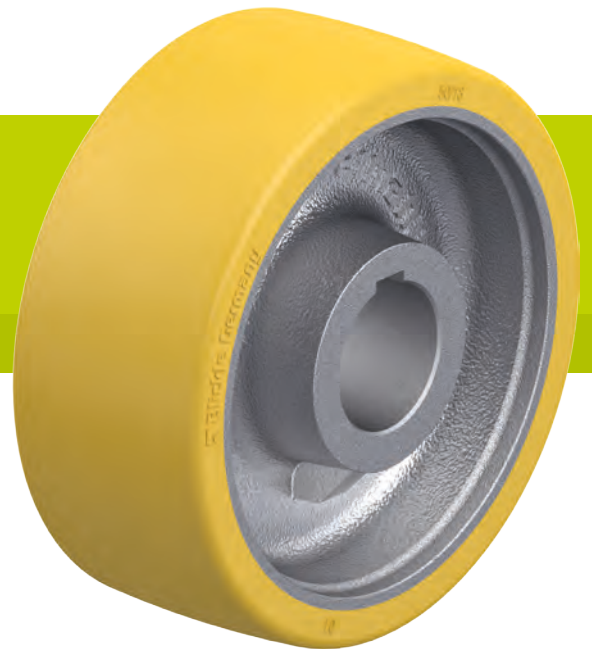
upon request

steel-wire reinforced      with steel-band



## GTHN series, wheel $\varnothing$ 75–200 mm

Heavy-duty drive wheels with hub keyway with Blickle Extrathane® polyurethane tread, with cast iron wheel centre



300–1,400 kg

**Tread and tyre hardness**  
 92 Shore A

**Smooth operation / floor preservation**  
 good

**Rolling resistance**  
 very good

**Wear resistance**  
 excellent



### Tread:

- high-quality polyurethane elastomer Blickle Extrathane®, hardness 92 Shore A
- low rolling resistance
- high abrasion resistance
- high cut and tear propagation resistance
- colour light brown, non-marking, non-staining
- excellent chemical connection with the wheel centre

### Wheel centre:

- rugged grey cast iron
- axle bore and hub keyway in accordance with DIN 6885
- lacquered, colour silver

### Other features:

- high chemical resistance to many aggressive substances
- operating temperature: -30 °C to +70 °C, temporarily up to +90 °C, reduced load capacity over +40 °C

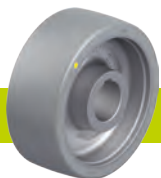
### Additional details:

- wheel series: page 75
- tread: page 55
- chemical resistance: page 51

| Wheels        | Wheel $\varnothing$<br>(D) [mm] | Wheel width<br>(T2) [mm] | Load capacity<br>at 4 km/h<br>[kg] | Load capacity<br>at 10 km/h<br>[kg] | Axle bore $\varnothing$<br>(d) [mm] | Hub keyway<br>width<br>(B) [mm] | Hub keyway<br>height<br>(H) [mm] | Hub<br>length<br>(T1) [mm] |
|---------------|---------------------------------|--------------------------|------------------------------------|-------------------------------------|-------------------------------------|---------------------------------|----------------------------------|----------------------------|
| GTHN 75/20H7  | 75                              | 40                       | 300                                | –                                   | 20 H7                               | 6 JS9                           | 22.8                             | 40                         |
| GTHN 100/20H7 | 100                             | 40                       | 400                                | –                                   | 20 H7                               | 6 JS9                           | 22.8                             | 40                         |
| GTHN 100/25H7 | 100                             | 40                       | 400                                | –                                   | 25 H7                               | 8 JS9                           | 28.3                             | 40                         |
| GTHN 125/20H7 | 125                             | 40                       | 450                                | –                                   | 20 H7                               | 6 JS9                           | 22.8                             | 40                         |
| GTHN 125/25H7 | 125                             | 40                       | 450                                | –                                   | 25 H7                               | 8 JS9                           | 28.3                             | 40                         |
| GTHN 127/25H7 | 125                             | 50                       | 650                                | 320                                 | 25 H7                               | 8 JS9                           | 28.3                             | 60                         |
| GTHN 127/30H7 | 125                             | 50                       | 650                                | 320                                 | 30 H7                               | 8 JS9                           | 33.3                             | 60                         |
| GTHN 140/25H7 | 140                             | 50                       | 670                                | 330                                 | 25 H7                               | 8 JS9                           | 28.3                             | 60                         |
| GTHN 140/30H7 | 140                             | 50                       | 670                                | 330                                 | 30 H7                               | 8 JS9                           | 33.3                             | 60                         |
| GTHN 150/25H7 | 150                             | 50                       | 700                                | 350                                 | 25 H7                               | 8 JS9                           | 28.3                             | 60                         |
| GTHN 150/30H7 | 150                             | 50                       | 700                                | 350                                 | 30 H7                               | 8 JS9                           | 33.3                             | 60                         |
| GTHN 150/35H7 | 150                             | 50                       | 700                                | 350                                 | 35 H7                               | 10 JS9                          | 38.3                             | 60                         |
| GTHN 160/25H7 | 160                             | 50                       | 700                                | 350                                 | 25 H7                               | 8 JS9                           | 28.3                             | 60                         |
| GTHN 160/30H7 | 160                             | 50                       | 700                                | 350                                 | 30 H7                               | 8 JS9                           | 33.3                             | 60                         |
| GTHN 180/25H7 | 180                             | 50                       | 850                                | 420                                 | 25 H7                               | 8 JS9                           | 28.3                             | 60                         |
| GTHN 180/30H7 | 180                             | 50                       | 850                                | 420                                 | 30 H7                               | 8 JS9                           | 33.3                             | 60                         |
| GTHN 180/35H7 | 180                             | 50                       | 850                                | 420                                 | 35 H7                               | 10 JS9                          | 38.3                             | 60                         |
| GTHN 200/25H7 | 200                             | 50                       | 900                                | 450                                 | 25 H7                               | 8 JS9                           | 28.3                             | 60                         |
| GTHN 200/30H7 | 200                             | 50                       | 900                                | 450                                 | 30 H7                               | 8 JS9                           | 33.3                             | 60                         |
| GTHN 200/35H7 | 200                             | 50                       | 900                                | 450                                 | 35 H7                               | 10 JS9                          | 38.3                             | 60                         |
| GTHN 200/40H7 | 200                             | 50                       | 900                                | 450                                 | 40 H7                               | 12 JS9                          | 43.3                             | 60                         |
| GTHN 202/35H7 | 200                             | 80                       | 1,400                              | 700                                 | 35 H7                               | 10 JS9                          | 38.3                             | 80                         |
| GTHN 202/40H7 | 200                             | 80                       | 1,400                              | 700                                 | 40 H7                               | 12 JS9                          | 43.3                             | 80                         |
| GTHN 202/50H7 | 200                             | 80                       | 1,400                              | 700                                 | 50 H7                               | 14 JS9                          | 53.8                             | 80                         |

For other dimensions, please refer to the next page

## Versions / options

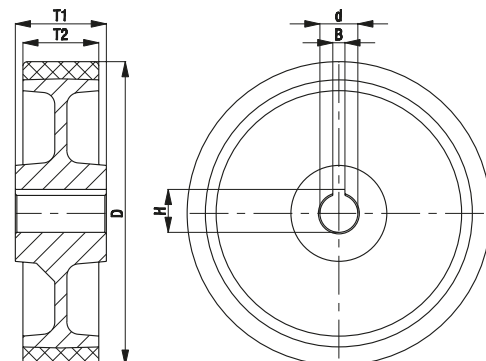


antistatic version,  
non-marking grey

Technical description page 50

Product code suffix **-AS**

Available for upon request



## GTHN series, wheel $\varnothing$ 250–1,000 mm

Heavy-duty drive wheels with hub keyway with Blickle Extrathane® polyurethane tread, with cast iron wheel centre

1,100–25,000 kg

**Tread and tyre hardness**

92 Shore A

**Smooth operation / floor preservation**

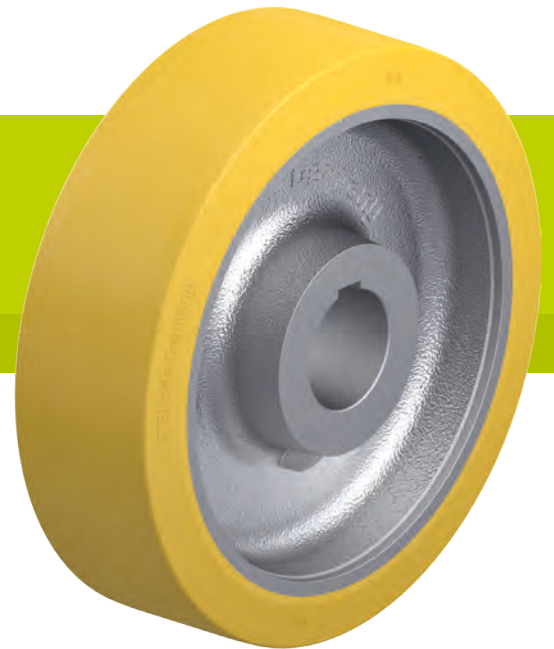
good

**Rolling resistance**

very good

**Wear resistance**

excellent



**Tread:**

- high-quality polyurethane elastomer Blickle Extrathane®, hardness 92 Shore A
- low rolling resistance
- high abrasion resistance
- high cut and tear propagation resistance
- colour light brown, non-marking, non-staining
- excellent chemical connection with the wheel centre

**Wheel centre:**

- rugged grey cast iron
- axle bore and hub keyway in accordance with DIN 6885
- lacquered, colour silver

**Other features:**

- high chemical resistance to many aggressive substances
- operating temperature: -30 °C to +70 °C, temporarily up to +90 °C, reduced load capacity over +40 °C

**Additional details:**

- wheel series: page 75
- tread: page 55
- chemical resistance: page 51

| Wheels          | Wheel $\varnothing$<br>(D) [mm] | Wheel width<br>(T2) [mm] | Load capacity at 4 km/h<br>[kg] | Load capacity at 10 km/h<br>[kg] | Axle bore $\varnothing$<br>(d) [mm] | Hub keyway width<br>(B) [mm] | Hub keyway height<br>(H) [mm] | Hub length<br>(T1) [mm] |
|-----------------|---------------------------------|--------------------------|---------------------------------|----------------------------------|-------------------------------------|------------------------------|-------------------------------|-------------------------|
| GTHN 251/30H7   | 250                             | 50                       | 1,100                           | 550                              | 30 H7                               | 8 JS9                        | 33.3                          | 60                      |
| GTHN 251/40H7   | 250                             | 50                       | 1,100                           | 550                              | 40 H7                               | 12 JS9                       | 43.3                          | 60                      |
| GTHN 252/40H7   | 250                             | 80                       | 1,800                           | 900                              | 40 H7                               | 12 JS9                       | 43.3                          | 80                      |
| GTHN 252/50H7   | 250                             | 80                       | 1,800                           | 900                              | 50 H7                               | 14 JS9                       | 53.8                          | 80                      |
| GTHN 253/40H7   | 250                             | 100                      | 2,300                           | 1,150                            | 40 H7                               | 12 JS9                       | 43.3                          | 100                     |
| GTHN 253/50H7   | 250                             | 100                      | 2,300                           | 1,150                            | 50 H7                               | 14 JS9                       | 53.8                          | 100                     |
| GTHN 300/40H7   | 300                             | 60                       | 1,500                           | 750                              | 40 H7                               | 12 JS9                       | 43.3                          | 60                      |
| GTHN 300/50H7   | 300                             | 60                       | 1,500                           | 750                              | 50 H7                               | 14 JS9                       | 53.8                          | 60                      |
| GTHN 302/40H7   | 300                             | 80                       | 2,100                           | 1,050                            | 40 H7                               | 12 JS9                       | 43.3                          | 80                      |
| GTHN 302/50H7   | 300                             | 80                       | 2,100                           | 1,050                            | 50 H7                               | 14 JS9                       | 53.8                          | 80                      |
| GTHN 304/40H7   | 300                             | 100                      | 2,700                           | 1,350                            | 40 H7                               | 12 JS9                       | 43.3                          | 100                     |
| GTHN 304/50H7   | 300                             | 100                      | 2,700                           | 1,350                            | 50 H7                               | 14 JS9                       | 53.8                          | 100                     |
| GTHN 304/60H7   | 300                             | 100                      | 2,700                           | 1,350                            | 60 H7                               | 18 JS9                       | 64.4                          | 100                     |
| GTHN 362/40H7   | 360                             | 75                       | 2,200                           | 1,100                            | 40 H7                               | 12 JS9                       | 43.3                          | 75                      |
| GTHN 362/50H7   | 360                             | 75                       | 2,200                           | 1,100                            | 50 H7                               | 14 JS9                       | 53.8                          | 75                      |
| GTHN 362/60H7   | 360                             | 75                       | 2,200                           | 1,100                            | 60 H7                               | 18 JS9                       | 64.4                          | 75                      |
| GTHN 402/50H7   | 400                             | 80                       | 2,800                           | 1,400                            | 50 H7                               | 14 JS9                       | 53.8                          | 80                      |
| GTHN 402/60H7   | 400                             | 80                       | 2,800                           | 1,400                            | 60 H7                               | 18 JS9                       | 64.4                          | 80                      |
| GTHN 404/60H7   | 400                             | 100                      | 3,400                           | 1,700                            | 60 H7                               | 18 JS9                       | 64.4                          | 100                     |
| GTHN 404/70H7   | 400                             | 100                      | 3,400                           | 1,700                            | 70 H7                               | 20 JS9                       | 74.9                          | 100                     |
| GTHN 406/70H7   | 400                             | 125                      | 4,500                           | 2,250                            | 70 H7                               | 20 JS9                       | 74.9                          | 125                     |
| GTHN 406/80H7   | 400                             | 125                      | 4,500                           | 2,250                            | 80 H7                               | 22 JS9                       | 85.4                          | 125                     |
| GTHN 500/80H7   | 500                             | 100                      | 4,500                           | 2,250                            | 80 H7                               | 22 JS9                       | 85.4                          | 100                     |
| GTHN 504/100H7  | 500                             | 150                      | 6,700                           | 3,350                            | 100 H7                              | 28 JS9                       | 106.4                         | 150                     |
| GTHN 506/120H7  | 500                             | 200                      | 9,000                           | 4,500                            | 120 H7                              | 32 JS9                       | 127.4                         | 200                     |
| GTHN 602/120H7  | 600                             | 150                      | 8,000                           | 4,000                            | 120 H7                              | 32 JS9                       | 127.4                         | 150                     |
| GTHN 604/120H7  | 600                             | 200                      | 10,000                          | 5,000                            | 120 H7                              | 32 JS9                       | 127.4                         | 200                     |
| GTHN 750/150H7  | 750                             | 200                      | 12,500                          | 6,250                            | 150 H7                              | 36 JS9                       | 158.4                         | 200                     |
| GTHN 1000/250H7 | 1,000                           | 300                      | 25,000                          | 12,500                           | 250 H7                              | 56 JS9                       | 262.4                         | 300                     |

### Versions / options

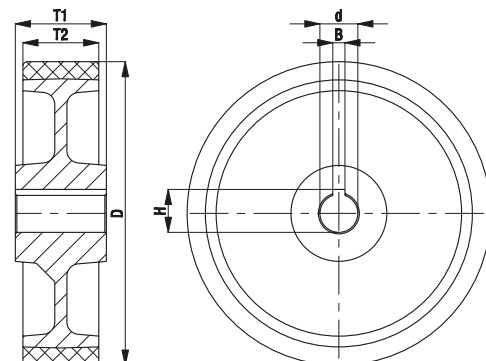


antistatic version, non-marking grey

Technical description page 50

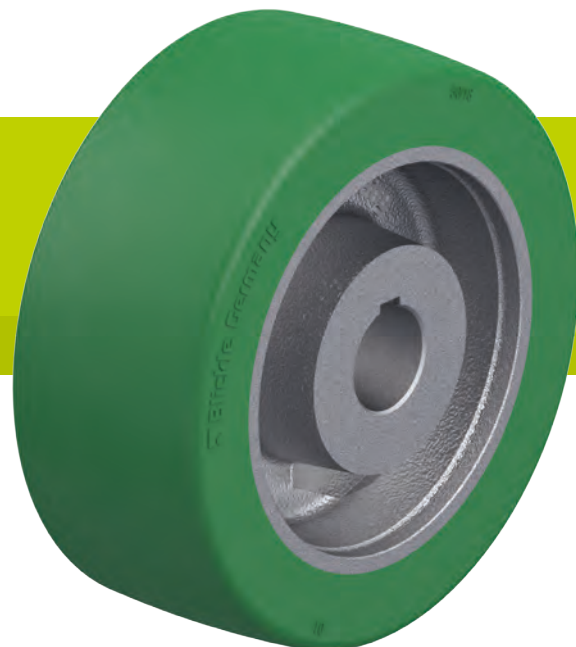
Product code suffix **-AS**

Available for upon request



## GSTN series

Heavy-duty drive wheels with hub keyway with Blickle Softhane® polyurethane tread, with cast iron wheel centre



200–4,200 kg

**Tread and tyre hardness**  
 75 Shore A

**Smooth operation / floor preservation**  
 very good

**Rolling resistance**  
 very good

**Wear resistance**  
 very good



### Tread:

- high-quality polyurethane elastomer Blickle Softhane®, hardness 75 Shore A
- extra-thick elastic tread for excellent operational comfort
- very good floor preservation, low-noise operation
- low rolling resistance
- high abrasion resistance
- high cut and tear propagation resistance
- colour green, non-marking, non-staining
- excellent chemical connection with the wheel centre

### Wheel centre:

- rugged grey cast iron
- axle bore and hub keyway in accordance with DIN 6885
- lacquered, colour silver

### Other features:

- high chemical resistance to many aggressive substances
- operating temperature: -30 °C to +70 °C, temporarily up to +90 °C, reduced load capacity over +40 °C

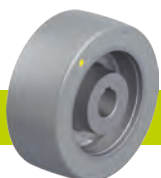
### Additional details:

- wheel series: page 76
- tread: page 55
- chemical resistance: page 51

| Wheels        | Wheel Ø<br>(D) [mm] | Wheel width<br>(T2) [mm] | Load capacity<br>at 4 km/h<br>[kg] | Load capacity<br>at 10 km/h<br>[kg] | Axle bore Ø<br>(d) [mm] | Hub keyway<br>width<br>(B) [mm] | Hub keyway<br>height<br>(H) [mm] | Hub<br>length<br>(T1) [mm] |
|---------------|---------------------|--------------------------|------------------------------------|-------------------------------------|-------------------------|---------------------------------|----------------------------------|----------------------------|
| GSTN 75/20H7  | 75                  | 40                       | 200                                | –                                   | 20 H7                   | 6 JS9                           | 22.8                             | 40                         |
| GSTN 100/20H7 | 100                 | 40                       | 250                                | –                                   | 20 H7                   | 6 JS9                           | 22.8                             | 40                         |
| GSTN 100/25H7 | 100                 | 40                       | 250                                | –                                   | 25 H7                   | 8 JS9                           | 28.3                             | 40                         |
| GSTN 127/25H7 | 125                 | 50                       | 400                                | 160                                 | 25 H7                   | 8 JS9                           | 28.3                             | 60                         |
| GSTN 150/25H7 | 150                 | 50                       | 500                                | 200                                 | 25 H7                   | 8 JS9                           | 28.3                             | 60                         |
| GSTN 150/30H7 | 150                 | 50                       | 500                                | 200                                 | 30 H7                   | 8 JS9                           | 33.3                             | 60                         |
| GSTN 160/25H7 | 160                 | 50                       | 550                                | 220                                 | 25 H7                   | 8 JS9                           | 28.3                             | 60                         |
| GSTN 160/30H7 | 160                 | 50                       | 550                                | 220                                 | 30 H7                   | 8 JS9                           | 33.3                             | 60                         |
| GSTN 200/25H7 | 200                 | 50                       | 700                                | 280                                 | 25 H7                   | 8 JS9                           | 28.3                             | 60                         |
| GSTN 200/30H7 | 200                 | 50                       | 700                                | 280                                 | 30 H7                   | 8 JS9                           | 33.3                             | 60                         |
| GSTN 202/35H7 | 200                 | 80                       | 1,000                              | 400                                 | 35 H7                   | 10 JS9                          | 38.3                             | 80                         |
| GSTN 251/30H7 | 250                 | 50                       | 700                                | 280                                 | 30 H7                   | 8 JS9                           | 33.3                             | 60                         |
| GSTN 252/40H7 | 250                 | 80                       | 1,100                              | 440                                 | 40 H7                   | 12 JS9                          | 43.3                             | 80                         |
| GSTN 302/40H7 | 300                 | 80                       | 1,600                              | 640                                 | 40 H7                   | 12 JS9                          | 43.3                             | 80                         |
| GSTN 304/50H7 | 300                 | 100                      | 2,100                              | 840                                 | 50 H7                   | 14 JS9                          | 53.8                             | 100                        |
| GSTN 362/50H7 | 360                 | 75                       | 1,700                              | 680                                 | 50 H7                   | 14 JS9                          | 53.8                             | 75                         |
| GSTN 402/50H7 | 400                 | 80                       | 2,100                              | 840                                 | 50 H7                   | 14 JS9                          | 53.8                             | 80                         |
| GSTN 502/70H7 | 500                 | 125                      | 4,200                              | 1,650                               | 70 H7                   | 20 JS9                          | 74.9                             | 125                        |

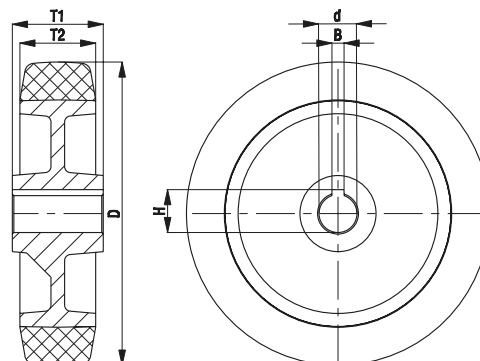
Other dimensions available upon request

## Versions / options



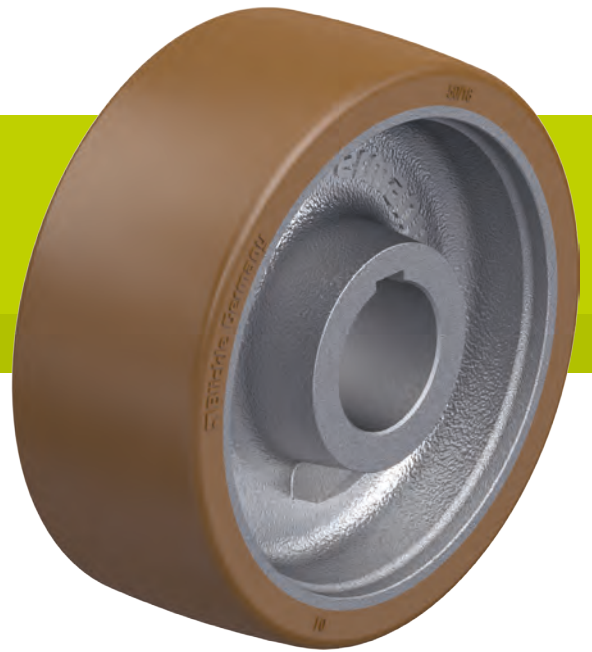
antistatic version,  
non-marking grey

|                            |              |
|----------------------------|--------------|
| Technical description page | 50           |
| Product code suffix        | -AS          |
| Available for              | upon request |



## GBN series, wheel Ø 100–250 mm

Heavy-duty drive wheels with hub keyway with Blickle Besthane® polyurethane tread, with cast iron wheel centre



400–2,300 kg

Tread and tyre hardness  
 92 Shore A

Smooth operation / floor preservation  
 good

Rolling resistance  
 excellent

Wear resistance  
 excellent



### Tread:

- high-quality polyurethane elastomer Blickle Besthane®, hardness 92 Shore A
- very low rolling resistance
- **high dynamic load capacity**
- high abrasion resistance
- high cut and tear propagation resistance
- colour brown, non-marking, non-staining
- excellent chemical connection with the wheel centre

### Wheel centre:

- rugged grey cast iron
- axle bore and hub keyway in accordance with DIN 6885
- lacquered, colour silver

### Other features:

- high chemical resistance to many aggressive substances
- operating temperature: -30 °C to +70 °C, temporarily up to +90 °C, reduced load capacity over +40 °C

### Additional details:

- wheel series: page 76
- tread: page 56
- chemical resistance: page 51

| Wheels       | Wheel Ø (D) [mm] | Wheel width (T2) [mm] | Load capacity at 4 km/h [kg] | Load capacity at 10 km/h [kg] | Load capacity at 16 km/h [kg] | Axle bore Ø (d) [mm] | Hub keyway width (B) [mm] | Hub keyway height (H) [mm] | Hub length (T1) [mm] |
|--------------|------------------|-----------------------|------------------------------|-------------------------------|-------------------------------|----------------------|---------------------------|----------------------------|----------------------|
| GBN 100/20H7 | 100              | 40                    | 400                          | –                             | –                             | 20 H7                | 6 JS9                     | 22.8                       | 40                   |
| GBN 100/25H7 | 100              | 40                    | 400                          | –                             | –                             | 25 H7                | 8 JS9                     | 28.3                       | 40                   |
| GBN 101/25H7 | 100              | 50                    | 500                          | –                             | –                             | 25 H7                | 8 JS9                     | 28.3                       | 60                   |
| GBN 127/25H7 | 125              | 50                    | 650                          | 450                           | 260                           | 25 H7                | 8 JS9                     | 28.3                       | 60                   |
| GBN 127/30H7 | 125              | 50                    | 650                          | 450                           | 260                           | 30 H7                | 8 JS9                     | 33.3                       | 60                   |
| GBN 150/25H7 | 150              | 50                    | 700                          | 490                           | 280                           | 25 H7                | 8 JS9                     | 28.3                       | 60                   |
| GBN 150/30H7 | 150              | 50                    | 700                          | 490                           | 280                           | 30 H7                | 8 JS9                     | 33.3                       | 60                   |
| GBN 150/35H7 | 150              | 50                    | 700                          | 490                           | 280                           | 35 H7                | 10 JS9                    | 38.3                       | 60                   |
| GBN 160/25H7 | 160              | 50                    | 700                          | 490                           | 280                           | 25 H7                | 8 JS9                     | 28.3                       | 60                   |
| GBN 160/30H7 | 160              | 50                    | 700                          | 490                           | 280                           | 30 H7                | 8 JS9                     | 33.3                       | 60                   |
| GBN 200/25H7 | 200              | 50                    | 900                          | 630                           | 360                           | 25 H7                | 8 JS9                     | 28.3                       | 60                   |
| GBN 200/30H7 | 200              | 50                    | 900                          | 630                           | 360                           | 30 H7                | 8 JS9                     | 33.3                       | 60                   |
| GBN 200/35H7 | 200              | 50                    | 900                          | 630                           | 360                           | 35 H7                | 10 JS9                    | 38.3                       | 60                   |
| GBN 200/40H7 | 200              | 50                    | 900                          | 630                           | 360                           | 40 H7                | 12 JS9                    | 43.3                       | 60                   |
| GBN 202/35H7 | 200              | 80                    | 1,400                        | 980                           | 560                           | 35 H7                | 10 JS9                    | 38.3                       | 80                   |
| GBN 202/40H7 | 200              | 80                    | 1,400                        | 980                           | 560                           | 40 H7                | 12 JS9                    | 43.3                       | 80                   |
| GBN 202/50H7 | 200              | 80                    | 1,400                        | 980                           | 560                           | 50 H7                | 14 JS9                    | 53.8                       | 80                   |
| GBN 252/40H7 | 250              | 80                    | 1,800                        | 1,250                         | 650                           | 40 H7                | 12 JS9                    | 43.3                       | 80                   |
| GBN 252/50H7 | 250              | 80                    | 1,800                        | 1,250                         | 720                           | 50 H7                | 14 JS9                    | 53.8                       | 80                   |
| GBN 253/40H7 | 250              | 100                   | 2,300                        | 1,600                         | 920                           | 40 H7                | 12 JS9                    | 43.3                       | 100                  |
| GBN 253/50H7 | 250              | 100                   | 2,300                        | 1,600                         | 920                           | 50 H7                | 14 JS9                    | 53.8                       | 100                  |

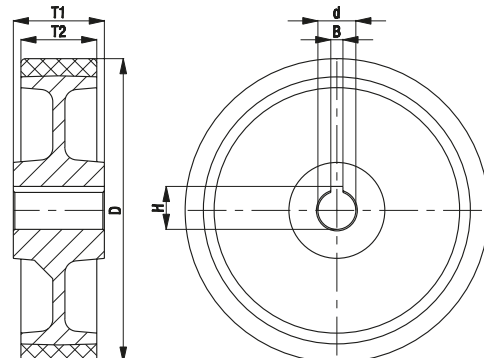
Greatly increased load capacity is possible for applications without obstacles.  
 For other dimensions, please refer to the next page

## Versions / options



electrically conductive version, non-marking

|                            |                                   |
|----------------------------|-----------------------------------|
| Technical description page | 50                                |
| Product code suffix        | -ELS                              |
| Available for              | up to wheel Ø 250 mm upon request |





## GBN series, wheel Ø 300–1,000 mm

Heavy-duty drive wheels with hub keyway with Blickle Besthane® polyurethane tread, with cast iron wheel centre

2,100–25,000 kg

### Tread and tyre hardness

92 Shore A

### Smooth operation / floor preservation

good

### Rolling resistance

excellent

### Wear resistance

excellent



### Tread:

- high-quality polyurethane elastomer Blickle Besthane®, hardness 92 Shore A
- very low rolling resistance
- **high dynamic load capacity**
- high abrasion resistance
- high cut and tear propagation resistance
- colour brown, non-marking, non-staining
- excellent chemical connection with the wheel centre

### Wheel centre:

- rugged grey cast iron
- axle bore and hub keyway in accordance with DIN 6885
- lacquered, colour silver

### Other features:

- high chemical resistance to many aggressive substances
- operating temperature: -30 °C to +70 °C, temporarily up to +90 °C, reduced load capacity over +40 °C

### Additional details:

- wheel series: page 76
- tread: page 56
- chemical resistance: page 51

| Wheels         | Wheel Ø (D) [mm] | Wheel width (T2) [mm] | Load capacity at 4 km/h [kg] | Load capacity at 10 km/h [kg] | Load capacity at 16 km/h [kg] | Axle bore Ø (d) [mm] | Hub keyway width (B) [mm] | Hub keyway height (H) [mm] | Hub length (T1) [mm] |
|----------------|------------------|-----------------------|------------------------------|-------------------------------|-------------------------------|----------------------|---------------------------|----------------------------|----------------------|
| GBN 302/40H7   | 300              | 80                    | 2,100                        | 1,450                         | 840                           | 40 H7                | 12 JS9                    | 43.3                       | 80                   |
| GBN 302/50H7   | 300              | 80                    | 2,100                        | 1,450                         | 840                           | 50 H7                | 14 JS9                    | 53.8                       | 80                   |
| GBN 304/40H7   | 300              | 100                   | 2,700                        | 1,850                         | 1,050                         | 40 H7                | 12 JS9                    | 43.3                       | 100                  |
| GBN 304/50H7   | 300              | 100                   | 2,700                        | 1,850                         | 1,050                         | 50 H7                | 14 JS9                    | 53.8                       | 100                  |
| GBN 304/60H7   | 300              | 100                   | 2,700                        | 1,850                         | 1,050                         | 60 H7                | 18 JS9                    | 64.4                       | 100                  |
| GBN 362/40H7   | 360              | 75                    | 2,200                        | 1,500                         | 880                           | 40 H7                | 12 JS9                    | 43.3                       | 75                   |
| GBN 362/50H7   | 360              | 75                    | 2,200                        | 1,500                         | 880                           | 50 H7                | 14 JS9                    | 53.8                       | 75                   |
| GBN 362/60H7   | 360              | 75                    | 2,200                        | 1,500                         | 880                           | 60 H7                | 18 JS9                    | 64.4                       | 75                   |
| GBN 363/70H7   | 360              | 100                   | 3,200                        | 2,200                         | 1,250                         | 70 H7                | 20 JS9                    | 74.9                       | 100                  |
| GBN 404/60H7   | 400              | 100                   | 3,400                        | 2,300                         | 1,350                         | 60 H7                | 18 JS9                    | 64.4                       | 100                  |
| GBN 404/70H7   | 400              | 100                   | 3,400                        | 2,380                         | 1,360                         | 70 H7                | 20 JS9                    | 74.9                       | 100                  |
| GBN 406/70H7   | 400              | 125                   | 4,500                        | 3,150                         | 1,800                         | 70 H7                | 20 JS9                    | 74.9                       | 125                  |
| GBN 406/80H7   | 400              | 125                   | 4,500                        | 3,150                         | 1,800                         | 80 H7                | 22 JS9                    | 85.4                       | 125                  |
| GBN 408/80H7   | 400              | 150                   | 5,100                        | 3,550                         | 2,000                         | 80 H7                | 22 JS9                    | 85.4                       | 150                  |
| GBN 500/80H7   | 500              | 100                   | 4,500                        | 3,150                         | 1,800                         | 80 H7                | 22 JS9                    | 85.4                       | 100                  |
| GBN 504/100H7  | 500              | 150                   | 6,700                        | 4,700                         | 2,650                         | 100 H7               | 28 JS9                    | 106.4                      | 150                  |
| GBN 506/120H7  | 500              | 200                   | 9,000                        | 6,300                         | 3,600                         | 120 H7               | 32 JS9                    | 127.4                      | 200                  |
| GBN 602/120H7  | 600              | 150                   | 8,000                        | 5,600                         | 3,200                         | 120 H7               | 32 JS9                    | 127.4                      | 150                  |
| GBN 604/120H7  | 600              | 200                   | 10,000                       | 7,000                         | 4,000                         | 120 H7               | 32 JS9                    | 127.4                      | 200                  |
| GBN 750/150H7  | 750              | 200                   | 12,500                       | 8,750                         | 5,000                         | 150 H7               | 56 JS9                    | 158.4                      | 200                  |
| GBN 1000/250H7 | 1,000            | 300                   | 25,000                       | 17,500                        | 10,000                        | 250 H7               | 56 JS9                    | 262.4                      | 300                  |

Greatly increased load capacity is possible for applications without obstacles.

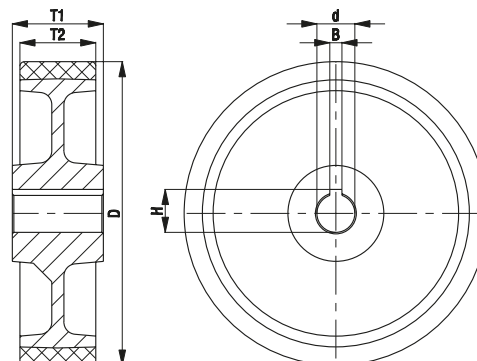
Other dimensions available upon request

## Versions / options



electrically conductive version, non-marking

|                            |                                   |
|----------------------------|-----------------------------------|
| Technical description page | 50                                |
| Product code suffix        | -ELS                              |
| Available for              | up to wheel Ø 300 mm upon request |



## GVUN series

Heavy-duty drive wheels with hub keyway,  
with Vulkollan® polyurethane tread,  
with cast iron wheel centre

400–3,400 kg

### Tread and tyre hardness

92 Shore A

### Smooth operation / floor preservation

good

### Rolling resistance

very good

### Wear resistance

excellent



### Tread:

- high-quality polyurethane elastomer Vulkollan®, hardness 92 Shore A
- very low rolling resistance
- **high dynamic load capacity**
- high abrasion resistance
- high cut and tear propagation resistance
- colour natural, non-marking, non-staining
- excellent chemical connection with the wheel centre

### Wheel centre:

- rugged grey cast iron
- axle bore and hub keyway in accordance with DIN 6885
- lacquered, colour silver

### Other features:

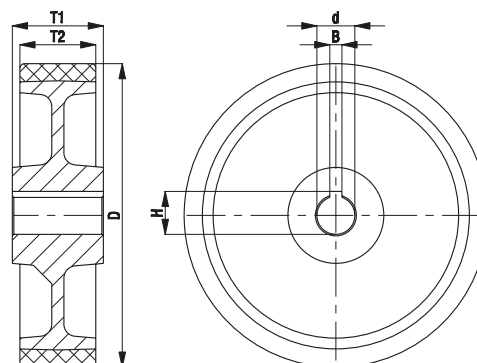
- high chemical resistance to many aggressive substances
- operating temperature: -30 °C to +70 °C, temporarily up to +90 °C, reduced load capacity over +40 °C

### Additional details:

- wheel series: page 76
- tread: page 56
- chemical resistance: page 51

| Wheels        | Wheel Ø<br>(D) [mm] | Wheel<br>width<br>(T2) [mm] | Load capacity<br>at 4 km/h<br>[kg] | Load capacity<br>at 10 km/h<br>[kg] | Load capacity<br>at 16 km/h<br>[kg] | Axle bore Ø<br>(d) [mm] | Hub keyway<br>width<br>(B) [mm] | Hub keyway<br>height<br>(H) [mm] | Hub<br>length<br>(T1) [mm] |
|---------------|---------------------|-----------------------------|------------------------------------|-------------------------------------|-------------------------------------|-------------------------|---------------------------------|----------------------------------|----------------------------|
| GVUN 100/20H7 | 100                 | 40                          | 400                                | –                                   | –                                   | 20H7                    | 6 JS9                           | 22.8                             | 40                         |
| GVUN 127/25H7 | 125                 | 50                          | 650                                | 450                                 | 260                                 | 25H7                    | 8 JS9                           | 28.3                             | 60                         |
| GVUN 150/30H7 | 150                 | 50                          | 700                                | 490                                 | 280                                 | 30H7                    | 8 JS9                           | 33.3                             | 60                         |
| GVUN 160/30H7 | 160                 | 50                          | 700                                | 490                                 | 280                                 | 30H7                    | 8 JS9                           | 33.3                             | 60                         |
| GVUN 200/30H7 | 200                 | 50                          | 900                                | 630                                 | 360                                 | 30H7                    | 8 JS9                           | 33.3                             | 60                         |
| GVUN 202/35H7 | 200                 | 80                          | 1,400                              | 980                                 | 560                                 | 35H7                    | 10 JS9                          | 38.3                             | 80                         |
| GVUN 252/40H7 | 250                 | 80                          | 1,800                              | 1,250                               | 720                                 | 40H7                    | 12 JS9                          | 43.3                             | 80                         |
| GVUN 302/50H7 | 300                 | 80                          | 2,100                              | 1,450                               | 840                                 | 50H7                    | 14 JS9                          | 53.8                             | 75                         |
| GVUN 304/60H7 | 300                 | 100                         | 2,700                              | 1,850                               | 1,050                               | 60H7                    | 18 JS9                          | 64.4                             | 100                        |
| GVUN 404/60H7 | 400                 | 100                         | 3,400                              | 2,350                               | 1,350                               | 60H7                    | 18 JS9                          | 64.4                             | 100                        |

Other dimensions available upon request



## SPKVSN series

### Solid steel flanged drive wheels with hub keyway



2,500–7,000 kg

#### Tread and tyre hardness

190–230 HB

#### Smooth operation / floor preservation

sufficient

#### Rolling resistance

excellent

#### Wear resistance

excellent

#### Wheel:

- heat-treatable steel, hardness 190–230 HB
- lightly-oiled surface
- 3° taper tread to axle
- extremely low rolling resistance
- extremely high static and dynamic load capacity
- axle bore and hub keyway in accordance with DIN 6885

#### Other features:

- chemical resistance to many aggressive substances
- operating temperature: -100 °C to +600 °C, load capacity reduced by 50% at +300 °C
- the load capacities provided in the table refer to the allocation of flanged wheels to rail profiles in accordance with DIN 536 specified below (crane rail standard):  
SPKVSN 200: A45  
SPKVSN 250: A55  
SPKVSN 300: A65

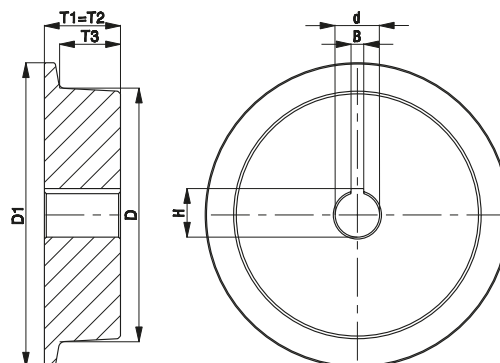
#### Additional details:

- wheel series: page 76
- tread: page 59
- chemical resistance: page 51

#### Flanged wheels

|                        | Wheel Ø without flange (D) [mm] | Wheel Ø incl. flange (D1) [mm] | Wheel width (T2) [mm] | Running width (T3) [mm] | Load capacity [kg] | Axle bore Ø (d) [mm] | Hub keyway width (B) [mm] | Hub keyway height (H) [mm] | Hub length (T1) [mm] |
|------------------------|---------------------------------|--------------------------------|-----------------------|-------------------------|--------------------|----------------------|---------------------------|----------------------------|----------------------|
| <b>SPKVSN 200/40H7</b> | 200                             | 240                            | 60                    | 48                      | 2,500              | 40                   | 12 JS9                    | 43.3                       | 60                   |
| <b>SPKVSN 250/50H7</b> | 250                             | 290                            | 75                    | 60                      | 4,000              | 50                   | 14 JS9                    | 53.8                       | 75                   |
| <b>SPKVSN 300/60H7</b> | 300                             | 345                            | 90                    | 72                      | 7,000              | 60                   | 18 JS9                    | 64.4                       | 90                   |

Other dimensions available upon request



## PA series

### Hub fitting wheels with pneumatic tyres, with pressed steel rim



250–1,300 kg

**Tread and tyre hardness**

60 Shore A

**Smooth operation / floor preservation**

excellent

**Rolling resistance**

good

**Wear resistance**

satisfactory

**Tyre:**

- pneumatic tyre, ribbed or zig-zag profile, hardness 60 Shore A
- 2 to 10 ply rating, with inner tube
- maximum operational comfort
- excellent floor preservation, particularly quiet operation
- colour black

**Rim:**

- pressed steel
- bolted or welded
- centre piece with a central hole and fitting holes
- fitting holes with domed anchor recesses
- lacquered, colour silver
- from wheel Ø 420 mm: zinc-plated, blue-passivated, Cr6-free

**Other features:**

- fitted using domed anchor nuts and bolts in accordance with DIN 74361
- chemical resistance to many aggressive substances, except oils
- operating temperature: -30 °C to +50 °C
- the wheel and tyre dimensions provided here apply to new tyres that are not bearing a load. Their width and diameter may change when they are in use.
- speeds up to 25 km/h with reduced load capacity

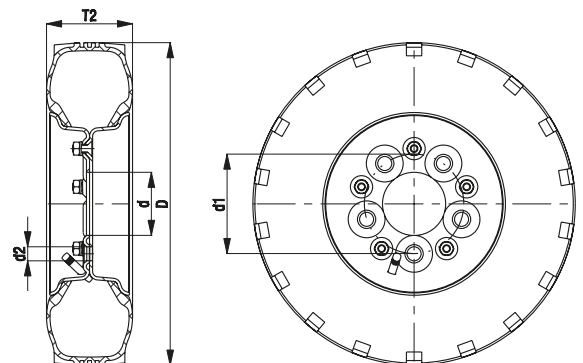
**Additional details:**

- wheel series: page 77
- tread: page 54
- chemical resistance: page 51

| Wheels   | Wheel Ø (D) [mm] | Wheel width (T2) [mm] | Tyre size | Ply rating | Load capacity at 4 km/h [kg] | Load capacity at 25 km/h [kg] | Tyre pressure [bar/psi] | Number of fitting holes | Fitting hole Ø (d2) [mm] | Central hole Ø (d) [mm] | PCD (d1) [mm] | Profile type |
|----------|------------------|-----------------------|-----------|------------|------------------------------|-------------------------------|-------------------------|-------------------------|--------------------------|-------------------------|---------------|--------------|
| PA 402/4 | 400              | 100                   | 4.00-8    | 2          | 250                          | 100                           | 20 / 30                 | 4                       | 14.5                     | 60                      | 100           | B07          |
| PA 412/4 | 400              | 100                   | 4.00-8    | 4          | 350                          | 160                           | 35 / 50                 | 4                       | 14.5                     | 60                      | 100           | B07          |
| PA 420/4 | 415              | 115                   | 4.00-8    | 4          | 525                          | 300                           | 35 / 50                 | 4                       | 14.5                     | 60                      | 100           | R02          |
| PA 430/5 | 420              | 115                   | 4.00-8    | 6          | 650                          | 500                           | 70 / 101                | 5                       | 18.5                     | 82                      | 130           | B08          |
| PA 432/5 | 420              | 115                   | 4.00-8    | 8          | 750                          | 600                           | 70 / 101                | 5                       | 15                       | 82                      | 130           | B08          |
| PA 464/5 | 460              | 145                   | 5.00-8    | 8          | 1,140                        | 770                           | 70 / 101                | 5                       | 18.5                     | 82                      | 130           | B08          |
| PA 536/5 | 536              | 165                   | 6.00-9    | 10         | 1,300                        | 1,050                         | 70 / 101                | 5                       | 16.5                     | 110                     | 145           | B08          |

Profile types: R = ribbed profile, B = zig-zag profile, see page 248 for image

Additional fitting dimensions available upon request



## VLEA series

Heavy-duty hub fitting wheels  
with super-elastic solid rubber tyres,  
with pressed steel rim

950–1,885 kg

### Tread and tyre hardness

70 Shore A

### Smooth operation / floor preservation

very good

### Rolling resistance

good

### Wear resistance

good

### Tyre:

- super-elastic solid rubber, steel-wire reinforced, hardness 70 Shore A
- 3-component tyre, highly-elastic cushion layer, abrasion-resistant tread
- very good operational comfort
- very good floor preservation, low-noise operation
- colour black

### Rim:

- heavy pressed steel
- centre piece with a central hole and fitting holes
- fitting holes with domed anchor recesses
- zinc-plated, blue-passivated, Cr6-free

### Other features:

- fitted using domed anchor nuts and bolts in accordance with DIN 74361
- chemical resistance to many aggressive substances, except oils
- operating temperature: -30 °C to +80 °C, temporarily up to +100 °C, reduced load capacity over +60 °C

### Additional details:

- wheel series: page 77
- tread: page 54
- bearing types: page 84–85
- chemical resistance: page 51



| Wheels     | Wheel Ø  | Wheel width | Tyre size | Rim dimensions | Load capacity at 6 km/h | Load capacity at 25 km/h | Number of fitting holes | Fitting hole Ø | Central hole Ø | PCD       |
|------------|----------|-------------|-----------|----------------|-------------------------|--------------------------|-------------------------|----------------|----------------|-----------|
|            | (D) [mm] | (T2) [mm]   |           |                | [kg]                    | [kg]                     |                         | (d2) [mm]      | (d) [mm]       | (d1) [mm] |
| VLEA 410/5 | 405      | 105         | 4.00-8    | 3.00D-8        | 950                     | 730                      | 5                       | 18.5           | 82             | 130       |
| VLEA 460/5 | 455      | 120         | 5.00-8    | 3.00D-8        | 1,415                   | 1,090                    | 5                       | 18.5           | 82             | 130       |
| VLEA 530/5 | 525      | 140         | 6.00-9    | 4.00E-9        | 1,885                   | 1,450                    | 5                       | 16.5           | 110            | 145       |

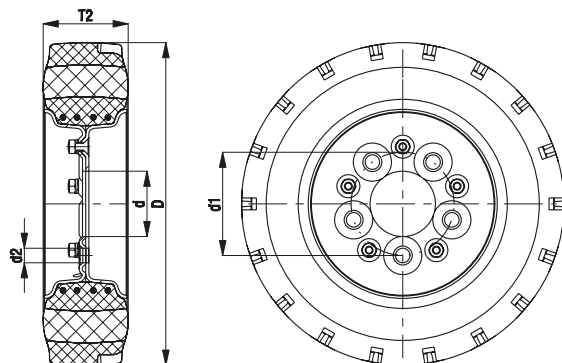
The wheel and tyre dimensions provided here apply to new tyres that are not bearing a load. The dimensions may change when they are in use.

Additional fitting dimensions available upon request

## Versions / options



|                            | with non-marking grey tyre | antistatic version, black tyres | drive wheel with hub keyway |
|----------------------------|----------------------------|---------------------------------|-----------------------------|
| Technical description page | 52                         | 50                              |                             |
| Product code suffix        | -SG                        | -AS                             | VLEN series                 |
| Available for              | upon request               | upon request                    | upon request                |



## GEVA series

Heavy-duty hub fitting wheels  
with elastic solid rubber tyres,  
with cast iron wheel centre

630–4,540 kg

### Tread and tyre hardness



65 Shore A

### Smooth operation / floor preservation



very good

### Rolling resistance



very good

### Wear resistance



satisfactory



### Tyre:

- high-quality elastic solid rubber in smooth rolling quality, steel-wire reinforced, hardness 65 Shore A
- very good operational comfort
- very good floor preservation, low-noise operation
- low rolling resistance
- colour black

### Wheel centre:

- rugged grey cast iron
- centre piece with a central hole and fitting holes
- fitting holes with domed anchor recesses
- lacquered, colour anthracite

### Other features:

- fitted using domed anchor nuts and bolts in accordance with DIN 74361
- chemical resistance to many aggressive substances, except oils
- operating temperature: -30 °C to +80 °C, temporarily up to +100 °C, reduced load capacity over +60 °C

### Additional details:

- wheel series: page 77
- tread: page 53
- bearing types: page 84–85
- chemical resistance: page 51

| Wheels        | Wheel Ø<br>(D) [mm] | Wheel width<br>(T2) [mm] | Load capacity<br>at 4 km/h<br>[kg] | Load capacity<br>at 10 km/h<br>[kg] | Load capacity<br>at 16 km/h<br>[kg] | Number of<br>fitting<br>holes | Fitting<br>hole Ø<br>(d2) [mm] | Central hole Ø<br>(d) [mm] | PCD<br>(d1) [mm] |
|---------------|---------------------|--------------------------|------------------------------------|-------------------------------------|-------------------------------------|-------------------------------|--------------------------------|----------------------------|------------------|
| GEVA 250/4    | 250                 | 60                       | 630                                | 420                                 | 320                                 | 4                             | 16.5                           | 60                         | 100              |
| GEVA 252/4    | 250                 | 80                       | 810                                | 540                                 | 410                                 | 4                             | 16.5                           | 60                         | 100              |
| GEVA 300/4    | 300                 | 75                       | 900                                | 600                                 | 450                                 | 4                             | 16.5                           | 60                         | 100              |
| GEVA 300/5    | 300                 | 75                       | 900                                | 600                                 | 450                                 | 5                             | 16.5                           | 67                         | 112              |
| GEVA 302/4    | 300                 | 90                       | 1,080                              | 720                                 | 540                                 | 4                             | 16.5                           | 60                         | 100              |
| GEVA 302/5    | 300                 | 90                       | 1,080                              | 720                                 | 540                                 | 5                             | 16.5                           | 67                         | 112              |
| GEVA 360/4    | 360                 | 60                       | 900                                | 600                                 | 450                                 | 4                             | 16.5                           | 60                         | 100              |
| GEVA 360/5    | 360                 | 60                       | 900                                | 600                                 | 450                                 | 5                             | 16.5                           | 67                         | 112              |
| GEVA 400/4    | 400                 | 65                       | 1,080                              | 720                                 | 540                                 | 4                             | 16.5                           | 60                         | 100              |
| GEVA 400/5-67 | 400                 | 65                       | 1,080                              | 720                                 | 540                                 | 5                             | 16.5                           | 67                         | 112              |
| GEVA 400/5-82 | 400                 | 65                       | 1,080                              | 720                                 | 540                                 | 5                             | 16.5                           | 82                         | 130              |
| GEVA 402/4    | 400                 | 75                       | 1,200                              | 800                                 | 600                                 | 4                             | 16.5                           | 60                         | 100              |
| GEVA 402/5-67 | 400                 | 75                       | 1,200                              | 800                                 | 600                                 | 5                             | 16.5                           | 67                         | 112              |
| GEVA 402/5-82 | 400                 | 75                       | 1,200                              | 800                                 | 600                                 | 5                             | 16.5                           | 82                         | 130              |
| GEVA 405/5    | 405                 | 130                      | 1,800                              | 1,200                               | 900                                 | 5                             | 18.5                           | 110                        | 145              |
| GEVA 405/6    | 405                 | 130                      | 1,800                              | 1,200                               | 900                                 | 6                             | 21.5                           | 160                        | 205              |
| GEVA 415/6    | 415                 | 90                       | 1,380                              | 920                                 | 690                                 | 6                             | 21.5                           | 160                        | 205              |
| GEVA 500/6    | 500                 | 85                       | 1,560                              | 1,050                               | 780                                 | 6                             | 21.5                           | 160                        | 205              |
| GEVA 520/6    | 520                 | 100                      | 1,830                              | 1,225                               | 920                                 | 6                             | 21.5                           | 160                        | 205              |
| GEVA 620/6    | 620                 | 200                      | 4,540                              | 3,105                               | 2,835                               | 6                             | 21.5                           | 160                        | 205              |

Other dimensions available upon request

## Versions / options



with pressed-on steel  
band in drive quality

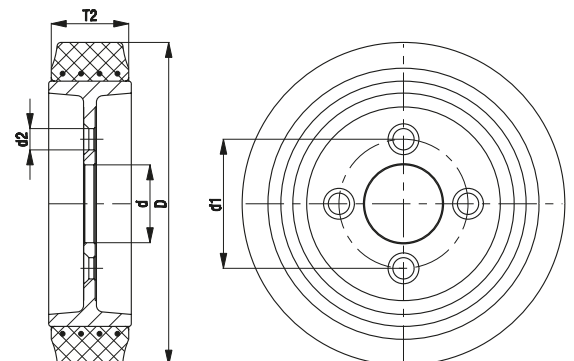
Technical description page

Product code suffix

-STA

Available for

upon request



## GSTA series

**Heavy-duty hub fitting wheels  
with Blickle Softhane® polyurethane tread,  
with cast iron wheel centre**



700–2,500 kg

|  |            |
|--|------------|
| <b>Tread and tyre hardness</b>               | 75 Shore A |
| <b>Smooth operation / floor preservation</b> | very good  |
| <b>Rolling resistance</b>                    | very good  |
| <b>Wear resistance</b>                       | very good  |



### Tread:

- high-quality polyurethane elastomer Blickle Softhane®, hardness 75 Shore A
- extra-thick elastic tread for excellent operational comfort
- very good floor preservation, low-noise operation
- low rolling resistance
- high abrasion resistance
- high cut and tear propagation resistance
- colour green, non-marking, non-staining
- excellent chemical connection with the wheel centre

### Wheel centre:

- rugged grey cast iron
- centre piece with a central hole and fitting holes
- fitting holes with domed anchor recesses
- lacquered, colour silver

### Other features:

- fitted using domed anchor nuts and bolts in accordance with DIN 74361
- high chemical resistance to many aggressive substances
- operating temperature: -30 °C to +70 °C, temporarily up to +90 °C, reduced load capacity over +40 °C

### Additional details:

- wheel series: page 77
- tread: page 55
- bearing types: page 84–85
- chemical resistance: page 51

| Wheels            | Wheel Ø  | Wheel width | Load capacity at 4 km/h | Load capacity at 10 km/h | Number of fitting holes | Fitting hole Ø | Central hole Ø | PCD       |
|-------------------|----------|-------------|-------------------------|--------------------------|-------------------------|----------------|----------------|-----------|
|                   | (D) [mm] | (T2) [mm]   | [kg]                    | [kg]                     |                         | (d2) [mm]      | (d) [mm]       | (d1) [mm] |
| <b>GSTA 200/4</b> | 200      | 50          | 700                     | 280                      | 4                       | 16.5           | 60             | 100       |
| <b>GSTA 250/4</b> | 250      | 60          | 800                     | 320                      | 4                       | 16.5           | 60             | 100       |
| <b>GSTA 252/4</b> | 250      | 80          | 1,100                   | 440                      | 4                       | 16.5           | 60             | 100       |
| <b>GSTA 302/5</b> | 300      | 80          | 1,600                   | 640                      | 5                       | 16.5           | 67             | 112       |
| <b>GSTA 404/6</b> | 400      | 100         | 2,500                   | 1,000                    | 6                       | 21.5           | 160            | 205       |

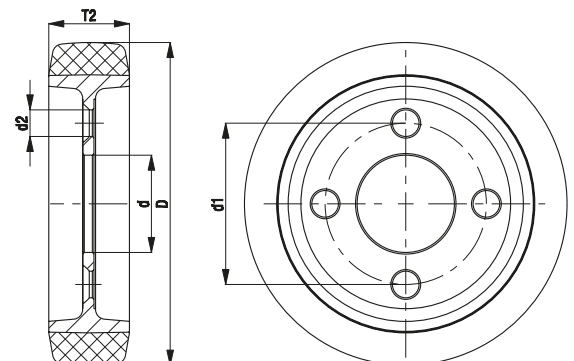
Other dimensions available upon request

## Versions / options



antistatic version,  
non-marking grey

|                            |              |
|----------------------------|--------------|
| Technical description page | 50           |
| <b>Product code suffix</b> | <b>-AS</b>   |
| Available for              | upon request |



## GBA series

Heavy-duty hub fitting wheels  
with Blickle Besthane® polyurethane tread,  
with cast iron wheel centre



900–3,400 kg

### Tread and tyre hardness



92 Shore A

### Smooth operation / floor preservation



good

### Rolling resistance



excellent

### Wear resistance



excellent



### Tread:

- high-quality polyurethane elastomer Blickle Besthane®, hardness 92 Shore A
- very low rolling resistance
- **high dynamic load capacity**
- high abrasion resistance
- high cut and tear propagation resistance
- colour brown, non-marking, non-staining
- excellent chemical connection with the wheel centre

### Wheel centre:

- rugged grey cast iron
- centre piece with a central hole and fitting holes
- fitting holes with domed anchor recesses
- lacquered, colour silver

### Other features:

- fitted using domed anchor nuts and bolts in accordance with DIN 74361
- high chemical resistance to many aggressive substances
- operating temperature: -30 °C to +70 °C, temporarily up to +90 °C, reduced load capacity over +40 °C

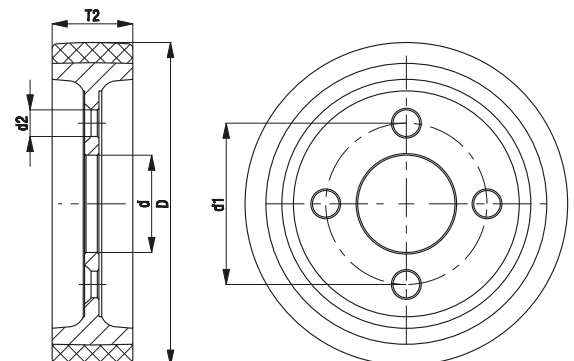
### Additional details:

- wheel series: page 78
- tread: page 56
- bearing types: page 84–85
- chemical resistance: page 51

| Wheels           | Wheel Ø  | Wheel width | Load capacity at 4 km/h | Load capacity at 10 km/h | Load capacity at 16 km/h | Number of fitting holes | Fitting hole Ø | Central hole Ø | PCD       |
|------------------|----------|-------------|-------------------------|--------------------------|--------------------------|-------------------------|----------------|----------------|-----------|
|                  | (D) [mm] | (T2) [mm]   | [kg]                    | [kg]                     | [kg]                     |                         | (d2) [mm]      | (d) [mm]       | (d1) [mm] |
| <b>GBA 200/4</b> | 200      | 50          | 900                     | 630                      | 360                      | 4                       | 16.5           | 60             | 100       |
| <b>GBA 250/4</b> | 250      | 60          | 1,300                   | 910                      | 520                      | 4                       | 16.5           | 60             | 100       |
| <b>GBA 252/5</b> | 250      | 80          | 1,600                   | 1,100                    | 640                      | 5                       | 16.5           | 67             | 112       |
| <b>GBA 302/5</b> | 300      | 90          | 2,100                   | 1,450                    | 840                      | 5                       | 16.5           | 67             | 112       |
| <b>GBA 404/6</b> | 400      | 100         | 3,400                   | 2,350                    | 1,350                    | 6                       | 21.5           | 160            | 205       |

Greatly increased load capacity is possible for applications without obstacles.

**Other dimensions available upon request**





## VSVU series

### Heavy-duty wheels with Vulkollan® tread, with cast iron wheel centre

700–2,400 kg

**Tread and tyre hardness**

92 Shore A

**Smooth operation / floor preservation**

good

**Rolling resistance**

very good

**Wear resistance**

excellent



**Tread:**

- high-quality polyurethane elastomer Vulkollan®, hardness 92 Shore A
- low rolling resistance
- **high dynamic load capacity**
- high abrasion resistance
- high cut and tear propagation resistance
- colour natural, non-marking, non-staining
- excellent chemical connection with the wheel centre

**Wheel centre:**

- heat-treatable steel
- clamping surface on both sides for mechanical processing

**Other features:**

- please note the following in terms of the mechanical processing of the base wheels:
  1. the temperature of the wheel must not exceed 90 °C
  2. the wheel must be fixed using the clamping surface provided
  3. any change to the tread will reduce the load capacity of the wheel
- high chemical resistance to many aggressive substances
- operating temperature: -30 °C to +70 °C, temporarily up to +90 °C, reduced load capacity over +40 °C

**Additional details:**

- wheel series: page 78
- tread: page 56
- chemical resistance: page 51

| Wheels        | Wheel Ø (D) [mm] | Wheel width (T2) [mm] | Load capacity at 4 km/h [kg] | Load capacity at 10 km/h [kg] | Load capacity at 16 km/h [kg] | Axle bore Ø (d) [mm] | Hub length (T1) [mm] | Internal clamping surface (N1) [mm] | External clamping surface (N2) [mm] |
|---------------|------------------|-----------------------|------------------------------|-------------------------------|-------------------------------|----------------------|----------------------|-------------------------------------|-------------------------------------|
| VSVU 127/20H7 | 125              | 50                    | 700                          | 490                           | 280                           | 20 H7                | 50                   | 70                                  | 90                                  |
| VSVU 150/20H7 | 150              | 50                    | 800                          | 560                           | 320                           | 20 H7                | 50                   | 80                                  | 100                                 |
| VSVU 160/20H7 | 160              | 50                    | 800                          | 560                           | 320                           | 20 H7                | 50                   | 90                                  | 110                                 |
| VSVU 200/20H7 | 200              | 50                    | 1,000                        | 700                           | 400                           | 20 H7                | 50                   | 110                                 | 150                                 |
| VSVU 202/20H7 | 200              | 80                    | 1,600                        | 1,150                         | 640                           | 20 H7                | 80                   | 110                                 | 150                                 |
| VSVU 251/25H7 | 250              | 50                    | 1,250                        | 870                           | 500                           | 25 H7                | 50                   | 150                                 | 190                                 |
| VSVU 252/25H7 | 250              | 80                    | 1,800                        | 1,250                         | 720                           | 25 H7                | 80                   | 150                                 | 190                                 |
| VSVU 302/30H7 | 300              | 80                    | 2,400                        | 1,650                         | 960                           | 30 H7                | 80                   | 150                                 | 230                                 |

Other dimensions available upon request

### Versions / options



individual turning (H7)      wheel with clamping set

Technical description page

Product code suffix

Available for

upon request

upon request

